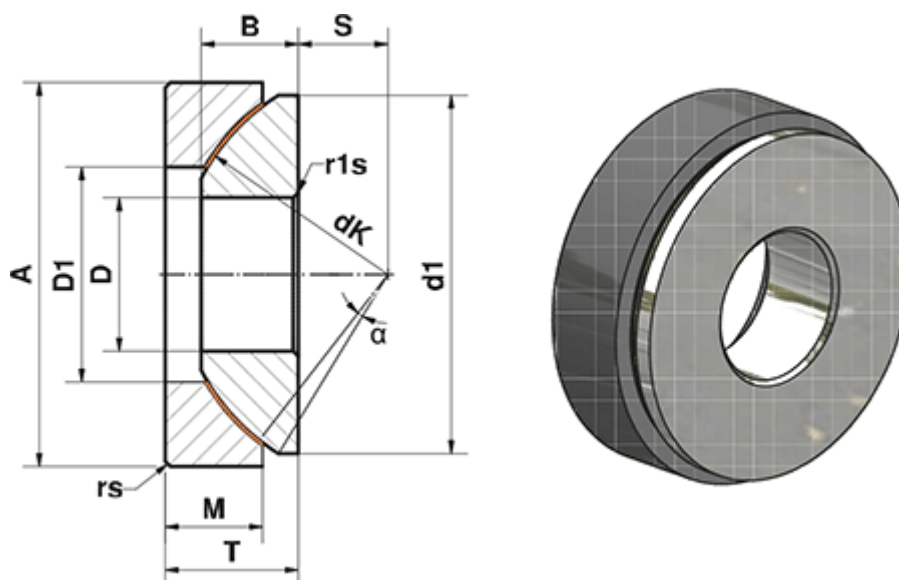


Article number: 03450030

Description: Fluro Heavy Duty Spherical Plain Bearing GE 30 AWE
Hole Ø30

Note: 30

Measures



A	= 75	M	= 19
a (degrees)	= 5	rs, r1s min	= 1
B	= 19	S	= 17.5
D	= 30	Static load C0 (kN)	= 920
D1	= 44.5	T	= 26
d1 min	= 70	Weight (g)	= 614
dK	= 82		
Dynamic load C (kN)	= 552		